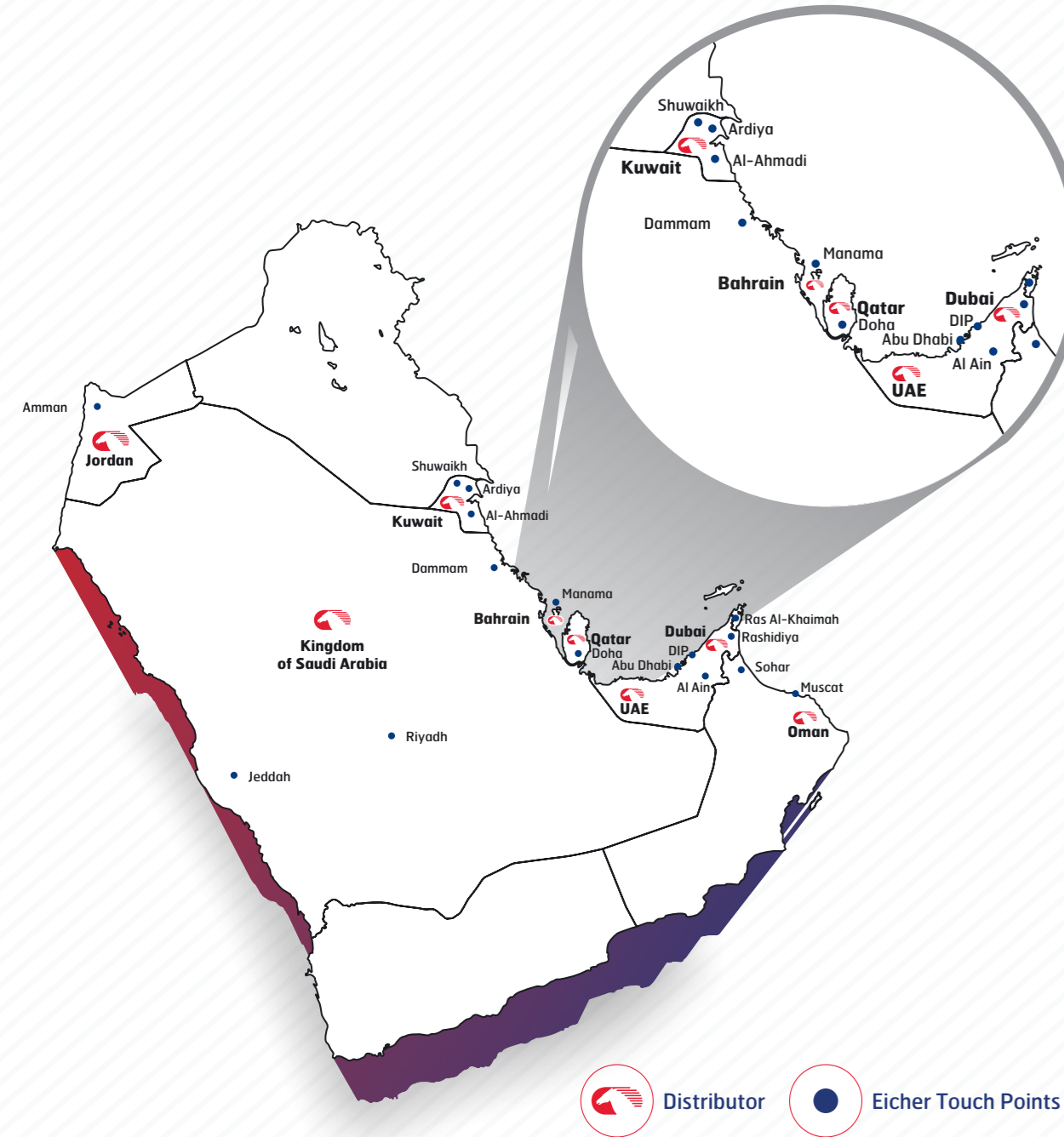


MIDDLE EAST NETWORK



AFTER MARKET ASSURANCE

The point of sale is just the beginning of the relationship, which is a commitment to partner with the customer right through the entire life cycle of the vehicle.

SERVICE ASSURANCE

COUNTRYWIDE NETWORK
Eicher promises to deliver customer service with unmatched reliability and quality of repairs through our country's dealer network.

TRAINED WORKFORCE
To maintain service quality standards, the workshop teams are trained and certified by Eicher for diagnostic skills and exhaustive knowledge of all our products.

STATE-OF-THE-ART WORKSHOP
Workshops are equipped with modern equipment for quick service and a comprehensive diagnostic system.



PARTS ASSURANCE

PARTS AVAILABILITY
Eicher Parts Distributors ensure speedy parts supply and minimum delays in delivery to our customers.

PARTS WARRANTY
With a vision to ensure 100% customer satisfaction, Eicher extends a warranty along with Eicher Genuine Parts through its distributors.

SUPPORT AGGREGATORS
To ensure higher uptime for vehicles, Eicher workshops are equipped with support aggregates.



EICHER ON ROADS SERVICE

Eicher dealers are equipped with Mobile Service Vans to ensure quick response.

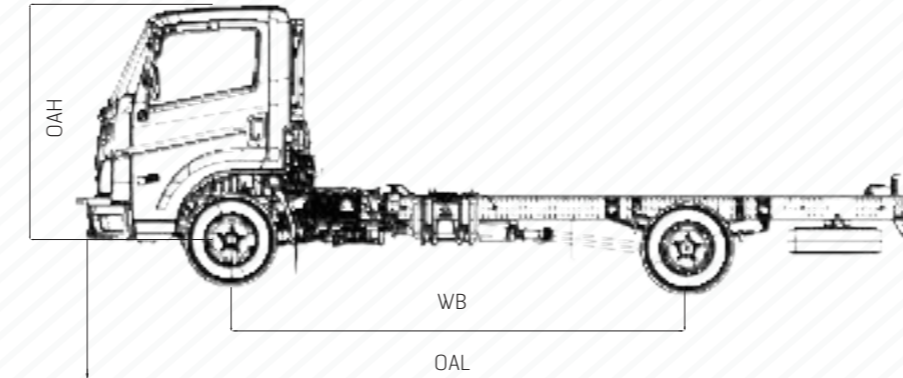
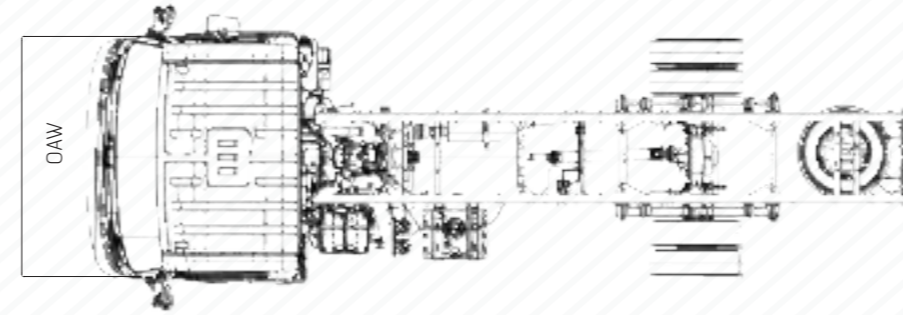
24x7 Eicher call center to support the operator in case the vehicle stands immobilised enroute.

Fully-equipped dealer team ensures quick resolution by providing breakdown assistance enroute.



SPECIFICATIONS Eicher Pro 2075XP

GVW (kg)	7499 (7.5T)
Wheelbase (mm)	3770
Front Overhang (mm)	1200
Rear Overhang (CBC) (mm)	1900
Cargo Body Length (ft)	16
Engine Type	E474 EURO IV
Max. Power	150 hp @ 3200 rpm
Max. Torque	400 Nm @ 1250 - 2500 rpm
Clutch Type	Push type
Gearbox	ET35S6
Rear Axle	Fully floating banjo type
Chassis Type	Joggle frame
Suspension	Front - Parabolic+shock absorber Rear - Parabolic with helper spring+ shock absorber
Steering	Hydraulic power steering, tilt and telescopic
TCD (m)	14.8
Gradeability (%)	31
Max. Speed (kmph)	101
Fuel Tank (L)	60 (100 Optional)
Battery	24V - 75A
Tyre	215 / 75R17.5



Vehicle Model	Wheelbase (WB) mm	Overall Length (OAL) mm	Overall Width (OAW) mm	Overall Height (OAH) mm
Pro 2075XP CBC	3770	6870	2545	2310



Market Load



Agriculture



Reefer/Chiller



Cylinder Distribution



FMCG



Furniture



Bottle Carrier



Bakery & Bread



Recovery Van

VE COMMERCIAL VEHICLES
A VOLVO GROUP AND EICHER MOTORS JOINT VENTURE
eichertrucksandbuses.com, Eicher Care: 1800 102 3531

Authorized Distributor

CORPORATE ADDRESS
Eicher Trucks & Buses
#96, Sector - 32, Gurgaon
122001, Haryana, India.

Caution: *Do not weld or drill on chassis frame. *Accessories and features shown in pictures or elsewhere may not constitute standard fitment. *Weight mentioned is for standard configuration with standard body sizes and will change due to optional fitments. *As a result of continuous research and innovation carried out, specifications are merely indicative and are subject to change without notice.

TRUCKS AND BUSES



SMART PERFORMER

Eicher Pro 2075XP

The 7.5T GVW Truck



PRO 2000 SERIES

A new generation range of Eicher trucks from 6.25T to 10T with tilted cabin feature that offers enhanced driver comfort, safety and reliability through Volvo Group's expertise.



Next-gen features

Eicher PRO 2000 Series comes equipped with next-gen features that have been thoroughly tested in many regions. This range of trucks has proven to provide the users with best-in-class fuel efficiency along with unmatched performance.



Superior safety and comfort

This range of trucks comes loaded with superior safety and comfort features to make the drive and ride more comfortable for drivers and co-drivers.



Volvo group processes

The manufacturing processes are a manifestation of Volvo Group's global expertise combined with Eicher's engineering to create an optimum Man-Machine combination.



Eicher Pro 2075XP is a new generation 7.5 tonne GVW truck, designed and developed through Volvo Group's world-class leading processes. Eicher Pro 2075XP gives you unmatched performance with next-gen smart features that take care of your daily transportation needs.



More km per litre

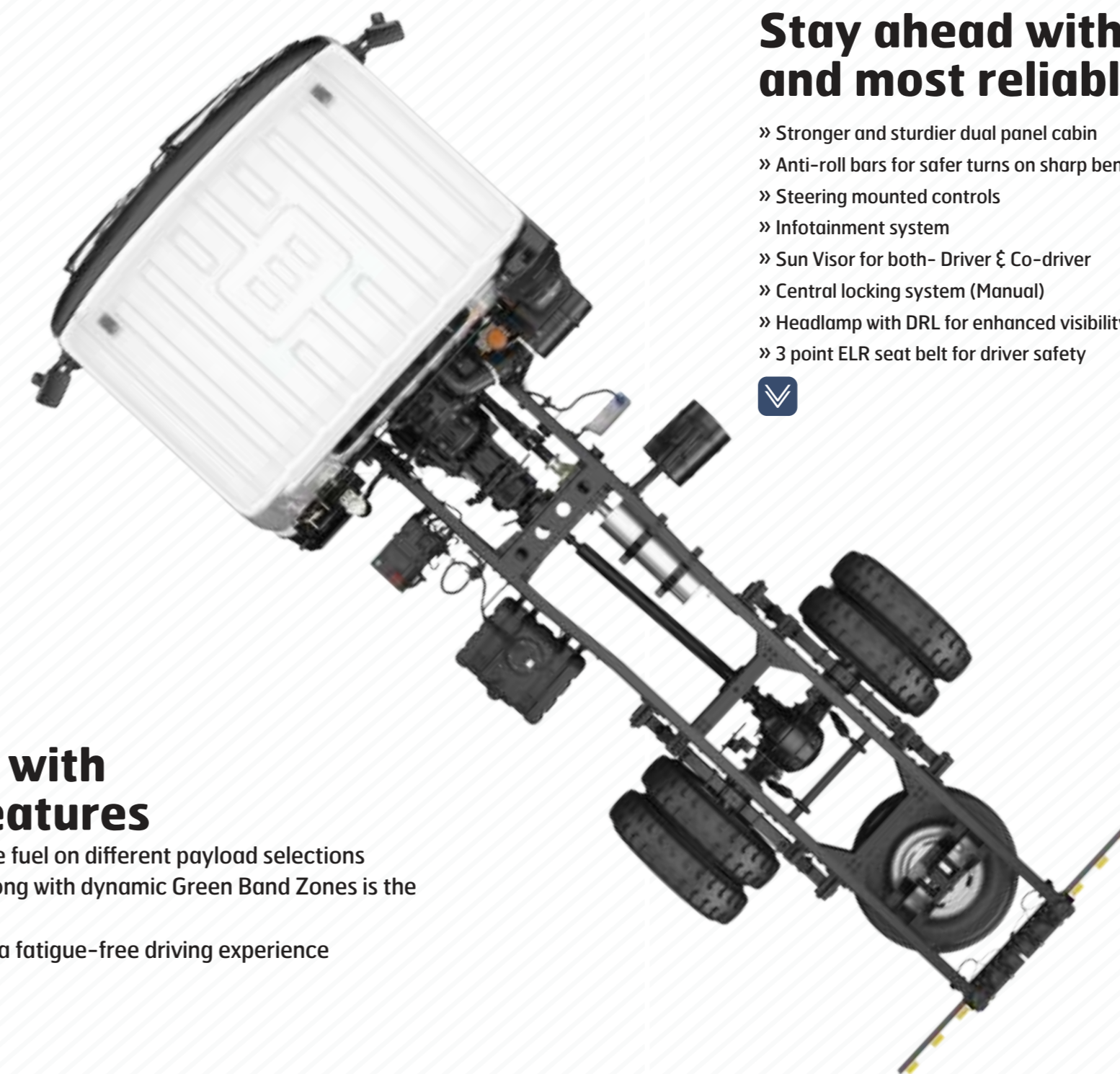
The new Eicher Pro 2075XP is built to deliver best-in-class fuel efficiency, thereby reducing the overall operational cost and increasing profitability.

With the proven E474 engine and EMS, Pro 2075XP is capable of delivering flat torque over a wide RPM range which prevents frequent gear shifts.



Stay ahead with next-gen features

- » MBooster+ helps to save fuel on different payload selections
- » Smart Fuel Coaching along with dynamic Green Band Zones is the driver's real-time coach
- » Cruise Control provides a fatigue-free driving experience



Stay ahead with the safest and most reliable truck

- » Stronger and sturdier dual panel cabin
- » Anti-roll bars for safer turns on sharp bends
- » Steering mounted controls
- » Infotainment system
- » Sun Visor for both- Driver & Co-driver
- » Central locking system (Manual)
- » Headlamp with DRL for enhanced visibility
- » 3 point ELR seat belt for driver safety



More comfort. Longer drive.

- » 8-degree cooler and lowest noise cabin
- » Walk through cabin for more area
- » Tilt & telescopic steering for better ergonomics
- » 4 stage speed blower
- » Adjustable headrest for driver comfort
- » Inside footrest for dust and water protection