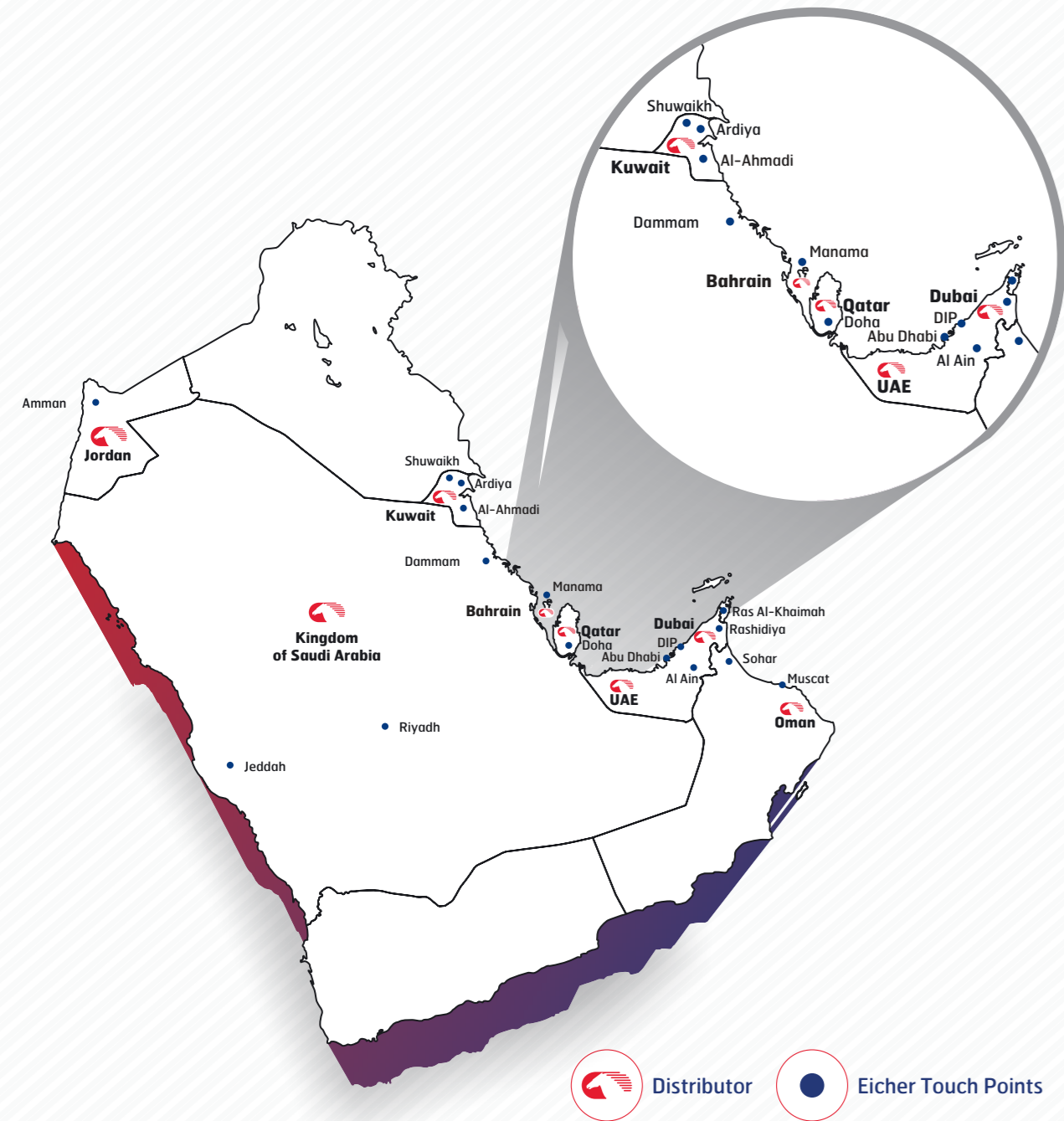


## MIDDLE EAST NETWORK



## AFTER MARKET ASSURANCE

The point of sale is just the beginning of the relationship, which is a commitment to partner with the customer right through the entire life cycle of the vehicle.

### SERVICE ASSURANCE

#### COUNTRYWIDE NETWORK

Eicher promises to deliver customer service with unmatched reliability and quality of repairs through our country's dealer network.

#### TRAINED WORKFORCE

To maintain service quality standards, the workshop teams are trained and certified by Eicher for diagnostic skills and exhaustive knowledge of all our products.

#### STATE-OF-THE-ART WORKSHOP

Workshops are equipped with modern equipment for quick service and a comprehensive diagnostic system.



### PARTS ASSURANCE

#### PARTS AVAILABILITY

Eicher Parts Distributors ensures speedy parts supply and minimum delays in delivery to our customers.

#### PARTS WARRANTY

With a vision to ensure 100% customer satisfaction, Eicher extends a warranty along with Eicher Genuine Parts through its distributors.

#### SUPPORT AGGREGATORS

To ensure higher uptime for vehicles, Eicher workshops are equipped with support aggregates.



### EICHER ON ROADS SERVICE

Eicher dealers are equipped with Mobile Service Vans to ensure quick response.

24x7 Eicher call center to support the operator in case the vehicle stands immobilised enroute.

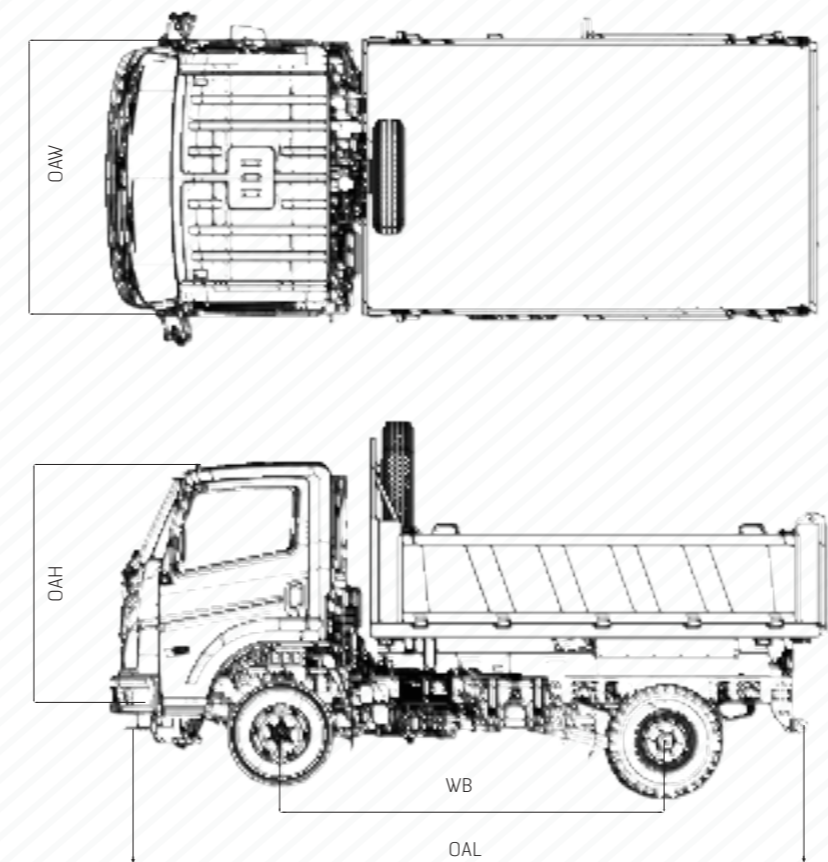
Fully-equipped dealer team ensures quick resolution by providing breakdown assistance enroute.



### SPECIFICATIONS

#### Eicher Pro 2080XPT

GVW (kg)	8750 (8.75T)	
Wheelbase (mm)	2935	
Front Overhang (mm)	1300	
Rear Overhang (CBC) (mm)	1080	1248
Cargo Body Length (ft)	4.5 Cum	
Engine Type	E494 EIV	
Max. Power	150 hp @ 3200 rpm	
Max. Torque	490 Nm @ 1400-1800 rpm	
Clutch Type	Push type	
Gearbox	ET40S5	
Rear Axle	Fully floating banjo type	
Chassis Type	Straight frame	
Suspension	Front - Semi-elliptical+shock Abs Rear - Semi-elliptical with helper spring+shock sbsorber	
Steering	Hydraulic power steering, tilt and telescopic	
TCD (m)	11.5	
Gradeability (%)	41	
Max. Speed (kmph)	88	
Fuel Tank (L)	100	
Battery	24V - 75A	
Tyre	8.25X16-16PR	



Vehicle Model	Wheelbase (WB) mm	Overall Length (OAL) mm	Overall Width (DAW) mm	Overall Height (OAH) mm
Pro2080XPT	2935	5315   5483	2545	2495   2660

**VE COMMERCIAL VEHICLES**  
A VOLVO GROUP AND EICHER MOTORS JOINT VENTURE  
eichertrucksandbuses.com, Eicher Care: 1800 102 3531

Authorized Distributor

CORPORATE ADDRESS  
Eicher Trucks & Buses  
#96, Sector - 32, Gurgaon  
122001, Haryana, India.

Caution: \*Do not weld or drill on chassis frame. \*Accessories and features shown in pictures or elsewhere may not constitute standard fitment. \*Weight mentioned is for standard configuration with standard body sizes and will change due to optional fitments. \*As a result of continuous research and innovation carried out, specifications are merely indicative and are subject to change without notice.

TRUCKS AND BUSES



# SMART PERFORMER

## Eicher Pro 2080XPT

The 8.75T GVW Tipper





## PRO 2000 SERIES

A new generation range of Eicher trucks from 6.25T to 10T with tilted cabin feature that offers enhanced driver comfort, safety and reliability through Volvo Group's expertise.



### Next-gen features

Eicher PRO 2000 Series comes equipped with next-gen features that have been thoroughly tested in many regions. This range of trucks has proven to provide the users with best-in-class fuel efficiency along with unmatched performance.



### Superior safety and comfort

This range of trucks comes loaded with superior safety and comfort features to make the drive and ride more comfortable for drivers and co-drivers.



### Volvo group processes

The manufacturing processes are a manifestation of Volvo Group's global expertise combined with Eicher's engineering to create an optimum Man-Machine combination.



Eicher Pro 2080XPT is a new generation 8.75 tonne GVW truck, designed and developed through Volvo Group's world-class leading processes. Eicher Pro 2080XPT gives you unmatched performance with next-gen smart features that take care of your daily transportation needs.



## More km per litre

The new Eicher Pro 2080XPT is built to deliver best-in-class fuel efficiency, thereby reducing the overall operational cost and increasing profitability.

With the proven E474 engine and EMS, Pro 2080XPT is capable of delivering flat torque over a wide RPM range which prevents frequent gear shifts.



## Stay ahead with next-gen features

- » MBooster+ helps to save fuel on different payload selections
- » Smart Fuel Coaching along with dynamic Green Band Zones is the driver's real-time coach
- » Cruise Control provides a fatigue-free driving experience



## Stay ahead with the safest and most reliable truck

- » Stronger and sturdier dual panel cabin
- » Anti-roll bars for safer turns on sharp bends
- » Steering mounted controls
- » Infotainment system
- » Sun Visor for both- Driver & Co-driver
- » Central locking system (Manual)
- » Headlamp with DRL for enhanced visibility
- » 3 point ELR seat belt for driver safety



## More comfort. Longer drive.

- » 8-degree cooler and lowest noise cabin
- » Walk through cabin for more area
- » Tilt & telescopic steering for better ergonomics
- » 4 stage speed blower
- » Adjustable headrest for driver comfort
- » Inside footrest for dust and water protection