



TECHNICAL DATA

MASSES

Basic mass	455 kg
Operating mass (W)	460 kg
Operating mass (W1)	440 kg
Operating mass (W2)	453 kg
Operating mass (W3)	471 kg

COMPACTION

Amplitude	1.96 mm
Centrifugal force	60 kN
Frequency	66 Hz

TRACTION

Max. gradeability	35 %
Max. working speed	28 m/min

ENGINE

Manufacturer/Model	Hatz 1B 40
Emissions according to	EU Stage V
Type	Air cooled diesel
Number of cylinders	1
Fuel consumption /h, avg.	1.5 l
Fuel tank capacity	5 l
Power	6.7 kW @ 3000 rpm

DRIVE SYSTEM

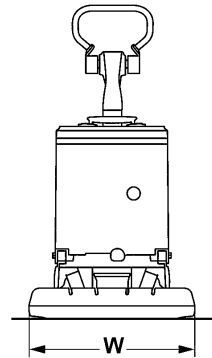
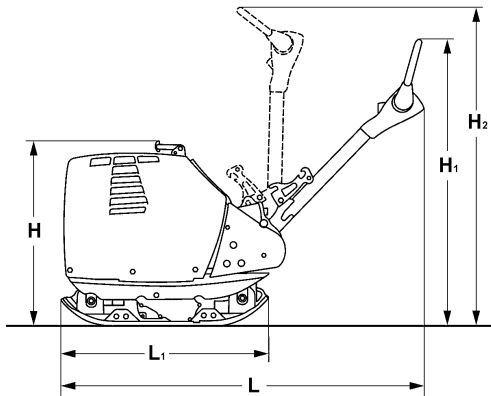
Drive system	Mechanical
--------------	------------

Find us locally at www.dynapac.com

We reserve the right to change specifications without notice. Photos and illustrations do not always show standard versions of machines. The above information is a general description only, all informations are supplied without liability.



DIMENSIONS



DIMENSIONS

H. Height	790 mm
H1. Height	980 mm
H2. Height	1380 mm
L. Length	1700 mm
L1. Length	900 mm
W. Basic plate width	650 mm (100 + 450 + 100)
W1. Plate width, without extensions	450 mm
W2. Plate width, with extensions	550 mm (50 + 450 + 50)
W3. Plate width, with extensions	750 mm (150 + 450 + 150)

STANDARD EQUIPMENT OPTIONAL EQUIPMENT

- | | |
|---|--|
| <ul style="list-style-type: none"> ■ Control handle -comfort -with vibration isolation ■ Height adjustable control lever ■ Control lever lock in transport and working position ■ Reverse drive protection ■ Highly wear resistant base plate ■ All around protection hood ■ All around protection for V-belt ■ Automatic decompression ■ One point lift ■ Recoil starter ■ Electric starter ■ Hour meter | <ul style="list-style-type: none"> ■ Block paving mat ■ Extension plate ■ Service Kit |
|---|--|

Find us locally at www.dynapac.com

We reserve the right to change specifications without notice. Photos and illustrations do not always show standard versions of machines. The above information is a general description only, all informations are supplied without liability.