



TECHNICAL DATA

MASSES

Basic mass	695 kg
Operating mass (W)	700 kg
Operating mass (W1)	677 kg
Operating mass (W2)	716 kg

COMPACTION

Amplitude (front/rear)	2.70 mm
Centrifugal force (front/rear)	100 kN
Frequency	54 Hz

TRACTION

Max. gradeability	35 %
Max. working speed	28 m/min

ENGINE

Manufacturer/Model	Hatz 1D 90
Emissions according to	Stage V
Type	Air cooled diesel
Number of cylinders	1
Fuel type	Diesel
Fuel consumption /h, avg.	2.20 l
Fuel tank capacity	10 l
Power	10.3 kW @ 2600 rpm

DRIVE SYSTEM

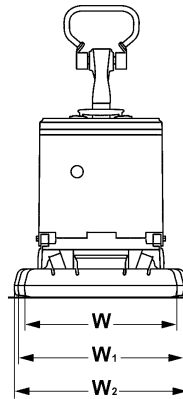
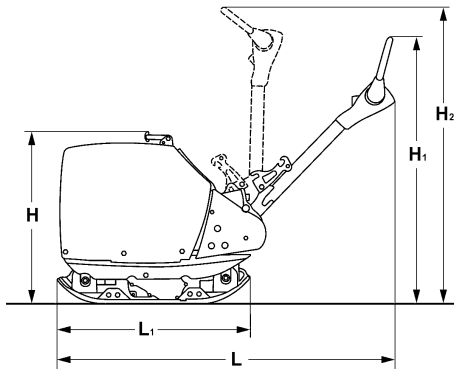
Drive system	Mechanical
--------------	------------

Find us locally at www.dynapac.com

We reserve the right to change specifications without notice. Photos and illustrations do not always show standard versions of machines. The above information is a general description only, all informations are supplied without liability.



DIMENSIONS



DIMENSIONS

H. Height	910 mm
H1. Height	1180 mm
H2. Height	1540 mm
L. Length	1890 mm
L1. Length	980 mm
W. Basic plate width	800 mm (75 + 650 + 75)
W1. Plate width, without extensions	650 mm
W2. Plate width, with extensions	950 mm (150 + 650 + 150)

STANDARD EQUIPMENT OPTIONAL EQUIPMENT

- | | |
|---|---|
| <ul style="list-style-type: none"> ■ Control handle -comfort -with vibration isolation ■ Height adjustable control lever ■ Control lever lock in transport and working position ■ Reverse drive protection ■ Highly wear resistant base plate ■ All around protection hood ■ All around protection for V-belt ■ Automatic shutdown at low oil level ■ One point lift ■ Electric starter ■ Hour meter | <ul style="list-style-type: none"> ■ Crank start handle (+3kg) ■ Block paving mat ■ Extension plate ■ Service Kit |
|---|---|

Find us locally at www.dynapac.com

We reserve the right to change specifications without notice. Photos and illustrations do not always show standard versions of machines. The above information is a general description only, all informations are supplied without liability.