

# REDLINE

## Reversible plates

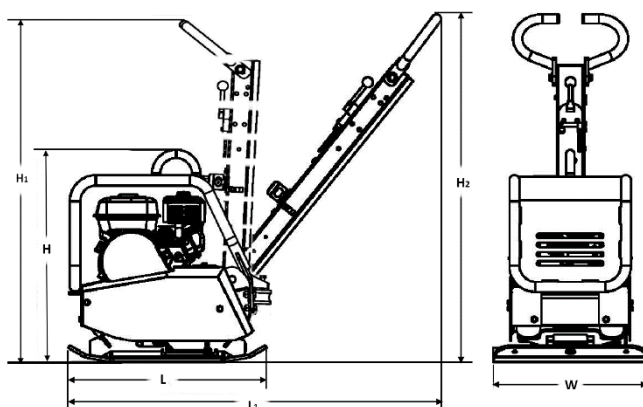
### RR170D

#### Technical Data

Masses	
Operating mass	171 kg
Net weight	164 kg
Maximum working speed	20 m/min
Centrifugal force	24 kN
Frequency	92
Max gradeability	55 %
Amplitude	1,7 mm
Dimensions	
Height	750 mm
Height H1	2650 mm
Length L1	1120 mm
Length plate L	642 mm
Width plate W	500 mm

Engine	
Manufacturer/Model	Hatz 1B20
Type	Air cooled, petrol
Rated power	3.3 kW @ 3450 rpm
Fuel tank capacity	3.6 l

- #### Features
- Control handle with vibration isolation
  - Control lever lock in transport position
  - Reverse drive protection
  - High wear resistant base plate
  - All around protection hood
  - All around protection for V-belt
  - One point lift
  - Recoil started
  - Self-cleaning plate technology
  - High wear-resistant forged base plate



We reserve right to change specifications without notice. Photos and illustrations do not always show standard versions of machines.

The above information is a general description only, all information are supplied without liability.

